

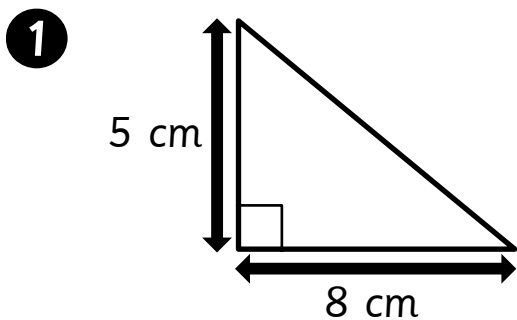


Up in the Area

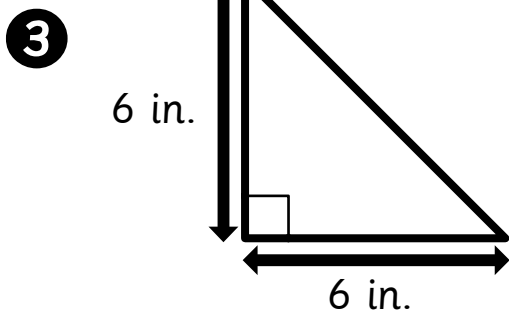
Activity Sheet

Name: _____ Class: _____

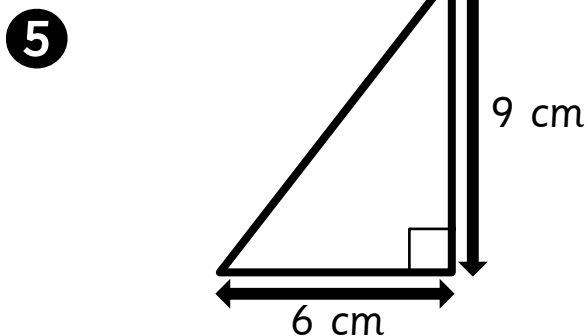
Find the area of each triangle.



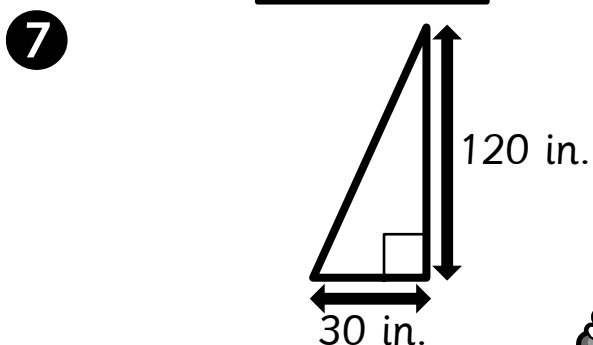
Area =



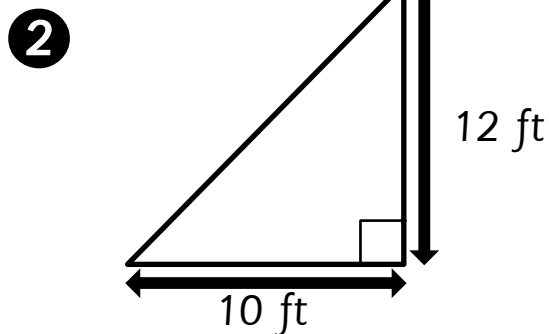
Area =



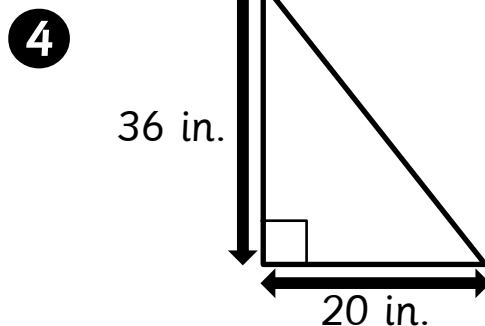
Area =



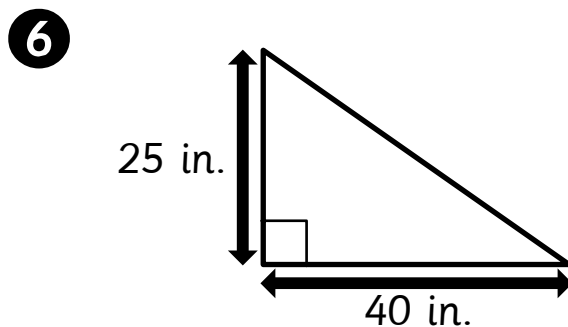
Area =



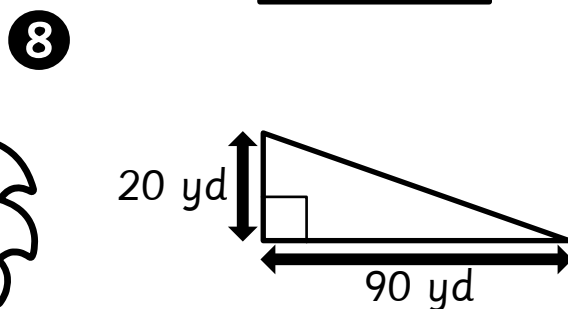
Area =



Area =



Area =



Area =

